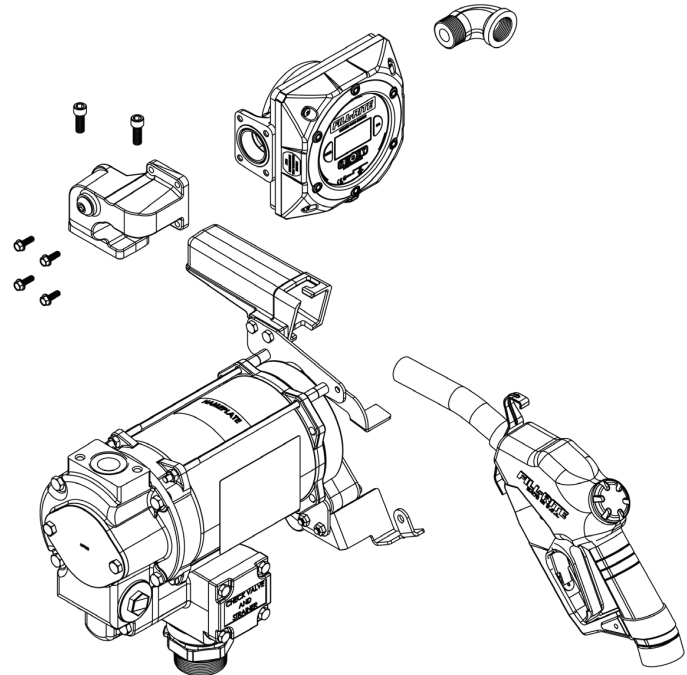
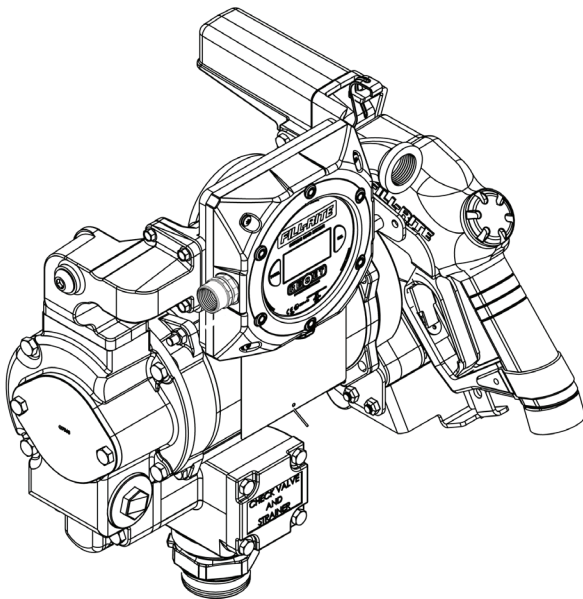


FILL-RITE®

A GORMAN-RUPP COMPANY

FR319VB SERIES TECHNICAL SPECIFICATIONS



Pump

Type - rotary, diaphragm, gear, vane	Vane
GPM in supplied configuration	26.6
GPM open flow - no hose or nozzle	33.4
By-pass pressure rating (psi) - Max	21 psi
Dry vac (in Hg)	12
Head- Max	N/A
Anti-siphon valve	Optional
Inlet - Size / Thread	1.25" NPT
Outlet - Size / Thread	1" NPT
Mount	Bung
Materials of construction - pump housing	Cast Iron
Materials of construction - wetted material	Fluorocarbon / Buna
Rotor materials of construction	Bronze
Rotor vane material of construction	Carbon
Compatible fluids	Diesel, Gasoline, Bio-Diesel up to B20, E15, Kerosene
Max Viscosity of Fluids to Pump	22cSt
Strainer Mesh Size	.04"
Warranty	2 Years

Motor

Power - AC 115, 230, 115/230 VAC	115/230
HZ 50, 60, 50/60	50/60
Power - DC 12, 24, 12/24	N/A
HP (horsepower) rating	¾ HP
Power cord length	N/A
Power cord gauge	N/A
Power cord DC battery connectors	N/A
Amps (FLA)	9.8/4.9 11.4/5.7
RPM	1725/1425
Duty cycle	30 min.
Thermal protection switch	Yes
Circuit protection fuse	None
Certification	UL, cUL

FILL-RITE®

A GORMAN-RUPP COMPANY

Accessories

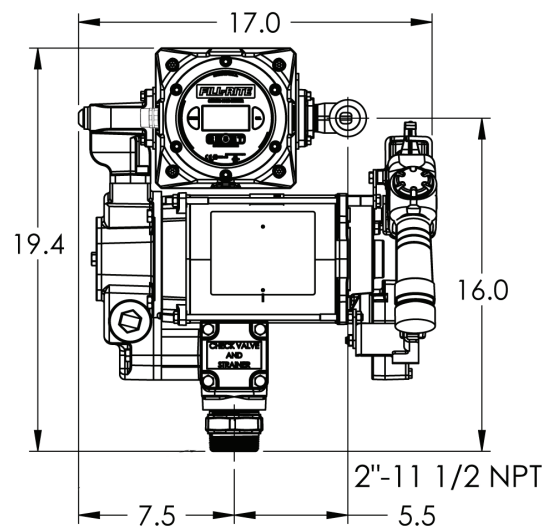
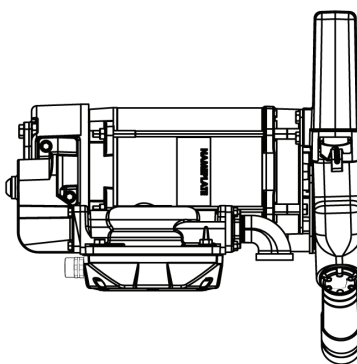
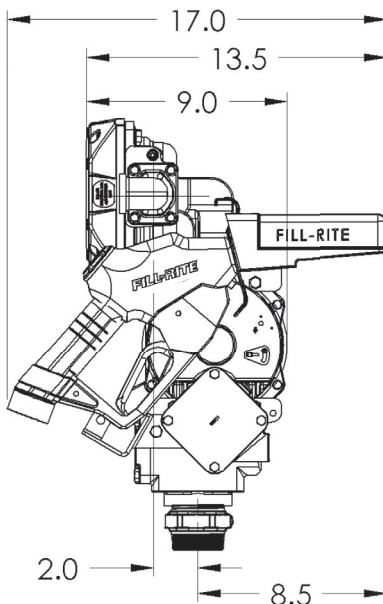
Suction pipe material	N/A
Suction pipe length	N/A
Nozzle size	1" Ultra High Flow
Nozzle - manual / automatic	Ultra High Flow
Hose diameter	1"
Hose length	18'
Hose static wire (Y/N)	Yes
Hose Liquid Materials Compatibility	Diesel Fuel, Kerosene Heptane, Hexane, Mineral Spirits
Certifications	UL,cUL

Measurements

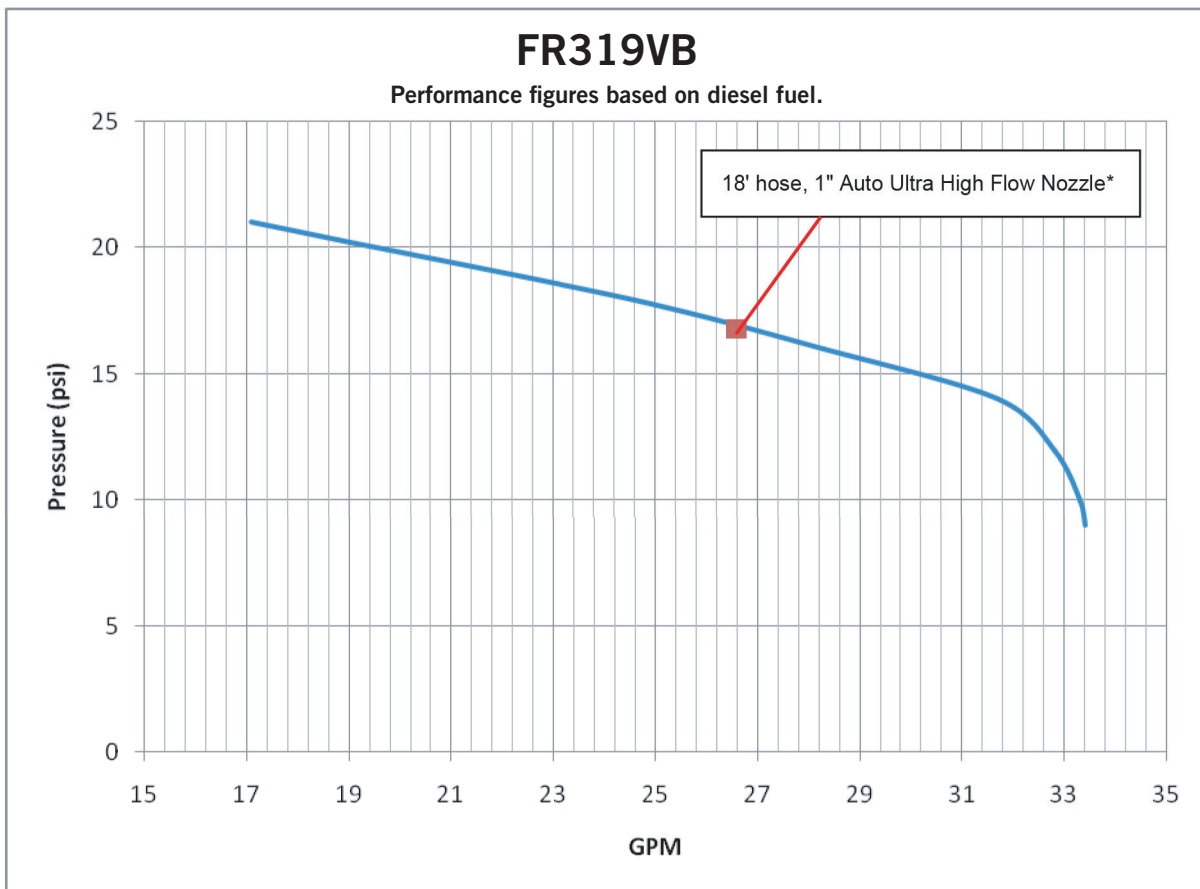
Height	19.4"
Width	17"
Depth	17"
Intake Center Line to Discharge Center Line	2"
Intake Center Line to Back of Nozzle Boot	8.5"
Shipping Weight	94 lbs
Qty per Pallet	8
Box Dimensions	Length - 21"
	Width - 20"
	Height - 18"

Skus/Kit # Small Pump Kits Consists of:

KIT300SW	Switch Lever	Switch lever, attaching hardware
KIT300JC	Junction Cover	Junction box cover, O-ring seal, attaching hardware
KIT300BV	Bypass	Bypass cap, O-ring seals, bypass body and poppet, spring, attaching hardware
KIT700SL	O-Ring	O-ring seals, retaining ring, nickel plated seals, stainless steel seals and spring
KIT300RG	Rotor	Rotor, vanes, O-ring seals attaching hardware
KIT700BG	Inlet	Inlet adapter, AST 2 x 1 1/4"
KIT300SG	Pressure Relief	Pressure relief valve, O-ring seals, gasket, check valve body, stem, and insert
KIT120NB	Nozzle Boot	Nozzle boot, attaching hardware
KIT300BD	Gasket	Gaskets, O-ring seals, bypass cap, flange cover
KIT300NR	Nozzle Retainer	Nozzle retainer and attaching hardware
KIT300OT	Outlet Kit	Outlet flange, O-ring seal, attaching hardware
KIT700AS	Anti-Siphon	Anti-siphon valve, Teflon tape, elbow adapter, stainless steel braided hose, attaching hardware



PSI	GPM	Amp	Notes
9	33.4	9.01	
10	33.3	9.1	
12	32.8	9.22	
14	31.7	9.37	
16	28.3	9.47	
18	24.6	9.48	
20	18.8	9.46	
21	17.1	9.57	
21	0	9.13	Bypass
16	27.7	9.48	18' x 1" Manual Nozzle
16.5	26.6	9.47	18' x 1" Ultra High Flow Nozzle
17	27.5	9.5	20' x 1" Manual Nozzle
17.5	26.3	9.51	20' x 1" Ultra High Flow Nozzle



**Changes in temperatures, fluid viscosity and system accessories may shift the performance curves.*